

# CARGO EXPERT

**Products & Innovations**



# WURTH USA CARGO EXPERT

## INDEX

WURTH Common Products	1-2
Electrical, Brass and Hardware	3-4
Windshield	5
Interior	6
Underbody and Exhaust	7
Paints and Primers	8
Brakes	9
Hardware & Fasteners	10
Bodywork	11-12
Wheel and Tire	13-14
Air Conditioning	15
Engine Compartment	16-18
5th Wheel	19-20
Workshop	21-22
Electrical	23-25
Tapes	26
Refillomat® System	27
A/C Machines	28



## Markets We Proudly Serve

- Bus Charter Services
- Bus Terminal and Service Facilities
- Bus Transportation
- School Busses
- Intercity and Rural Bus Transportation
- Local Bus Charter Services
- General Truck Repair
- Railroad Equipment
- Railroad Transportation
- Recreational Vehicle Dealers
- Recreational Vehicle Repair Services
- Motor Homes
- Travel Trailers and Campers
- Truck and Bus Bodies
- Truck Rental And Leasing
- Truck Trailers
- Trucking Terminal Facilities
- Trucking (General)
- Utility Trailer Rental
- Waste Removal
- Post Offices
- Agricultural Equipment Repair Services
- Agricultural Machinery and Equipment
- Aircraft and Industrial Truck Rental Services
- Backhoes, Tractors, Cranes, Plows, and Similar Equipment
- Construction and Mining Machinery
- Farm Machinery and Equipment
- General Construction Machinery and Equipment
- Heavy Construction Equipment Rental
- Hoists, Cranes, And Monorails
- Industrial Trucks and Tractors
- Material Handling Machinery
- Engines and Transportation Equipment
- Marine Cargo Handling
- Water Transportation Services
- Nautical Repair Services
- Landscaping Trucks and Equipment
- Commercial Fleets
- Towing Vehicles
- Hospital Vehicles
- Golf Course Equipment And Machinery



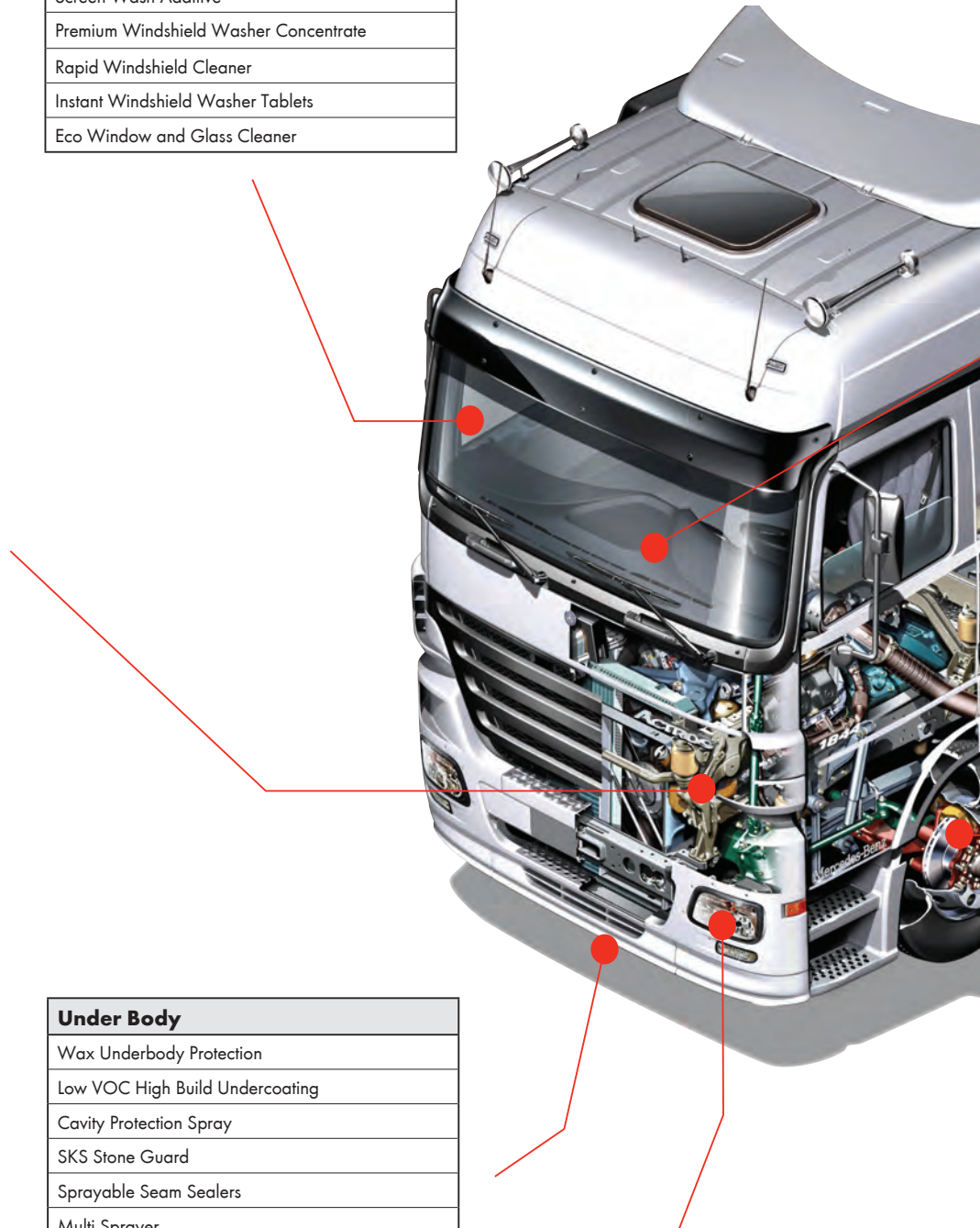
# COMMON WURTH PRODUCTS

Under Hood
Automatic Refrigerant Management System
Multi Purpose Dye
A/C Leak Stop with Dye
A/C Super Flush
PAG and POE A/C Lubricants
A/C Heating System Treatment
Aluminum Sealing Rings
Copper Sealing Rings
O-Rings and O-Ring Assortments
A/C Components
Pipe and Hose Clamps
Time-Sert™ Thread Repair
Dual Clamp Ties
Battery Cleaner and Leak Detector
Threadlockers
Bearing Retainer
Epoxy Sticks
Eco Industrial Degreaser Concentrate
Gasket Compounds
Pipe Sealant
Flange Sealant
Engine Cleaner & Degreaser
Grommets
Silicone Spray Lubricant
Contact and Circuit Board Cleaner
Shrink Tube/Connectors
Electrical Wire/Cable
Battery Cable Heat Shrink Tubing
Fuse Holders
Electrical Tools
Dielectric Grease
White Lithium Grease
Multi Purpose Solvent
Throttle Body Cleaner
Quick Seal Heavy Bodied RTV
Battery Terminals
Cable Ties
Metal Cable Ties

Windshield
Wiper Blades
Glass Cleaner
Screen Wash Additive
Premium Windshield Washer Concentrate
Rapid Windshield Cleaner
Instant Windshield Washer Tablets
Eco Window and Glass Cleaner

Under Body
Wax Underbody Protection
Low VOC High Build Undercoating
Cavity Protection Spray
SKS Stone Guard
Sprayable Seam Sealers
Multi Sprayer
UBS Spray Gun
Underbody Seal

Lighting
Light Bulbs/Lights/LED Lamps

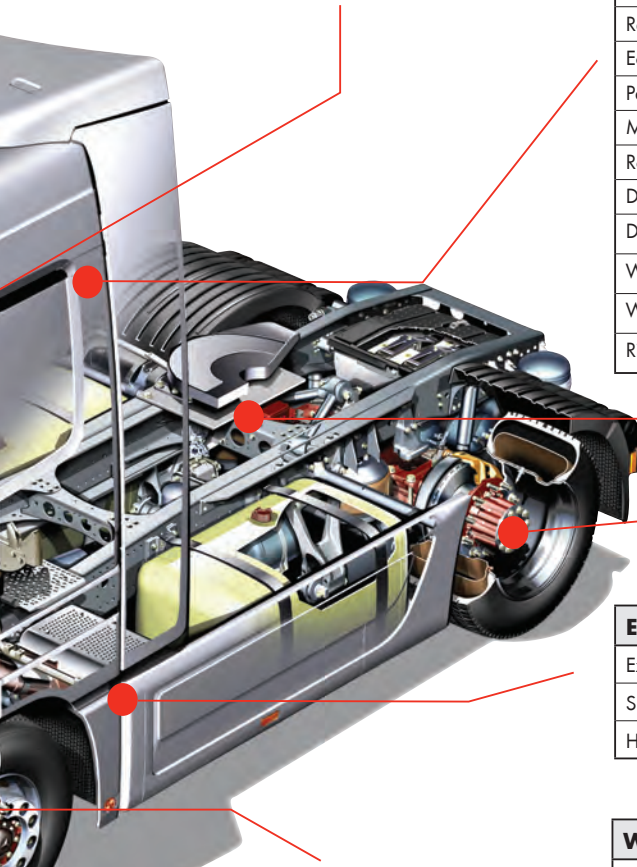


Interior
Cockpit Care
Quick Fresh
Eco Odor Eliminator
Eco Fabric and Upholstery Cleaner
Eco Multi Purpose Cleaner
HHS-K Lubricant
Super Spray All
Silicone Spray Lubricant
Micro Fiber Cloths

Body
Abrasive Disks & Grinding Wheels
PTFE Dry Lubricant
Maintenance Spray
Paintless Dent Repair
Vehicle Wash
Finishing Putty/Fiberglass Repair
Sprayable Adhesives
Super Glues
Bond and Seal
Sprayable and non Sprayable Seam Sealers
WURTH Fix-all
Replast Plastic Repair
Eco Graffiti Remover
Panel Bonders
Multi Plus Lubricant
Rost Off
DBS 3600 Air Grinder
Decal Eraser
WURTH Film
White Lithium Grease
Rivet Assortments

Paints & Primers
Flex-Trim Satin Black Paint
Primers
Specialty Paints
Lacquer Spray Paints
Enamel Sprays Paints
Metal Prep

5th Wheel
ALU Zinc Spray
Rost Off Ice
Sprayable Seam Sealers
Sound Deadening Pads
Air Components
Spray Adhesive
Rubber Glue
Super Glue
Eco Graffiti Remover
Load Securing Devices
SIG 3000 Super Impact Grease
Sockets and Plugs



Exhaust
Exhaust Assembly Paste
Spray Paint Black Matte
High Heat Paint

Wheels
Eco Aluminum Wheel Cleaner
Eco Lustre Metal Polish
Tire Fitting Paste
Wheel Nut Flags
Wheel Weights
Tire Repair
Tire Valves
Bead Sealer
Plug Patch Cement
Buffing Wheels
Bearing Grease
Tire Lube Brushes
Wheel Weight Hammer and Removers

Brakes
Brake and Parts Cleaner
REFILLO <sup>®</sup> mat System
Anti-Seize
Anti-Squeal Spray
Silicone Lubricating Compound
SBS Brake Treatment II
ABS Brake Quiet
Brake Cleaner Pump Sprayer
Brake Lathe Bits
Brake Rotor Conditioning Disks
Hardware

Workshop & Safety
Clean Green Hand Cleaner
Hand Wipes
Dust and Mist Respirators
Oil Spill Kit
Cut & Cool Cutting and Drilling Oil
Pipe Sealant
Drill Bits
Tyvek Suit
Cut-off Disks
Surface Conditioning Disks
Air Hoses
SawZall/Reciprocating/Razor Blades
Ear Plugs

Gloves, Safety Glasses, Ventilation Masks
Sorbent Pads
D.O.T. Air Brake Fittings

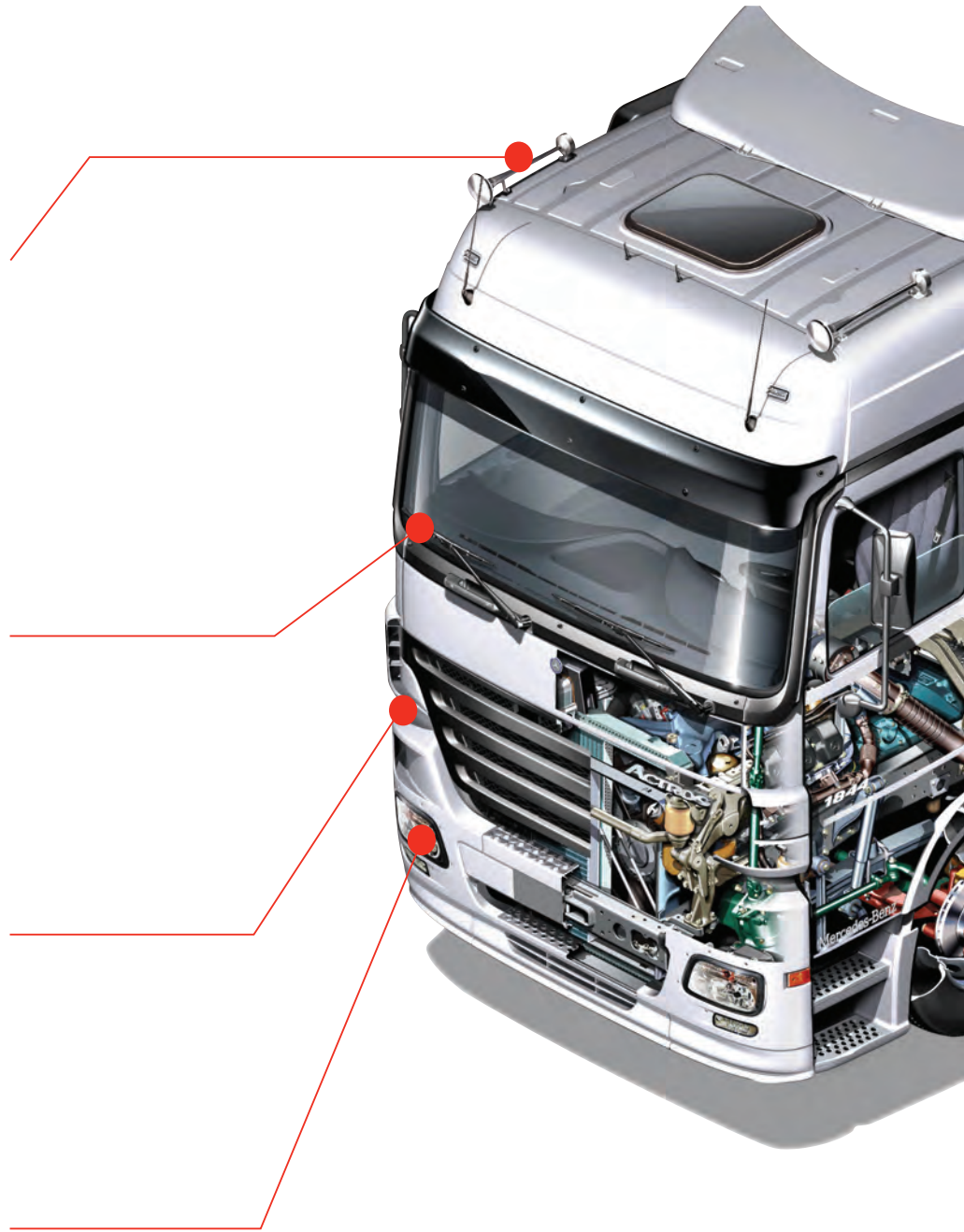
# ELECTRICAL, BRASS & HARDWARE

<b>Air Horns</b>
Nylon Airline Tubing
Airline Push Connector 1/4
Airline Push Connector 3/8
Airline Push Connector 1/2
14 GA Wire
Heat Shrink Terminals Blue
Emery Cloth
Heat Shrink Butt Connectors

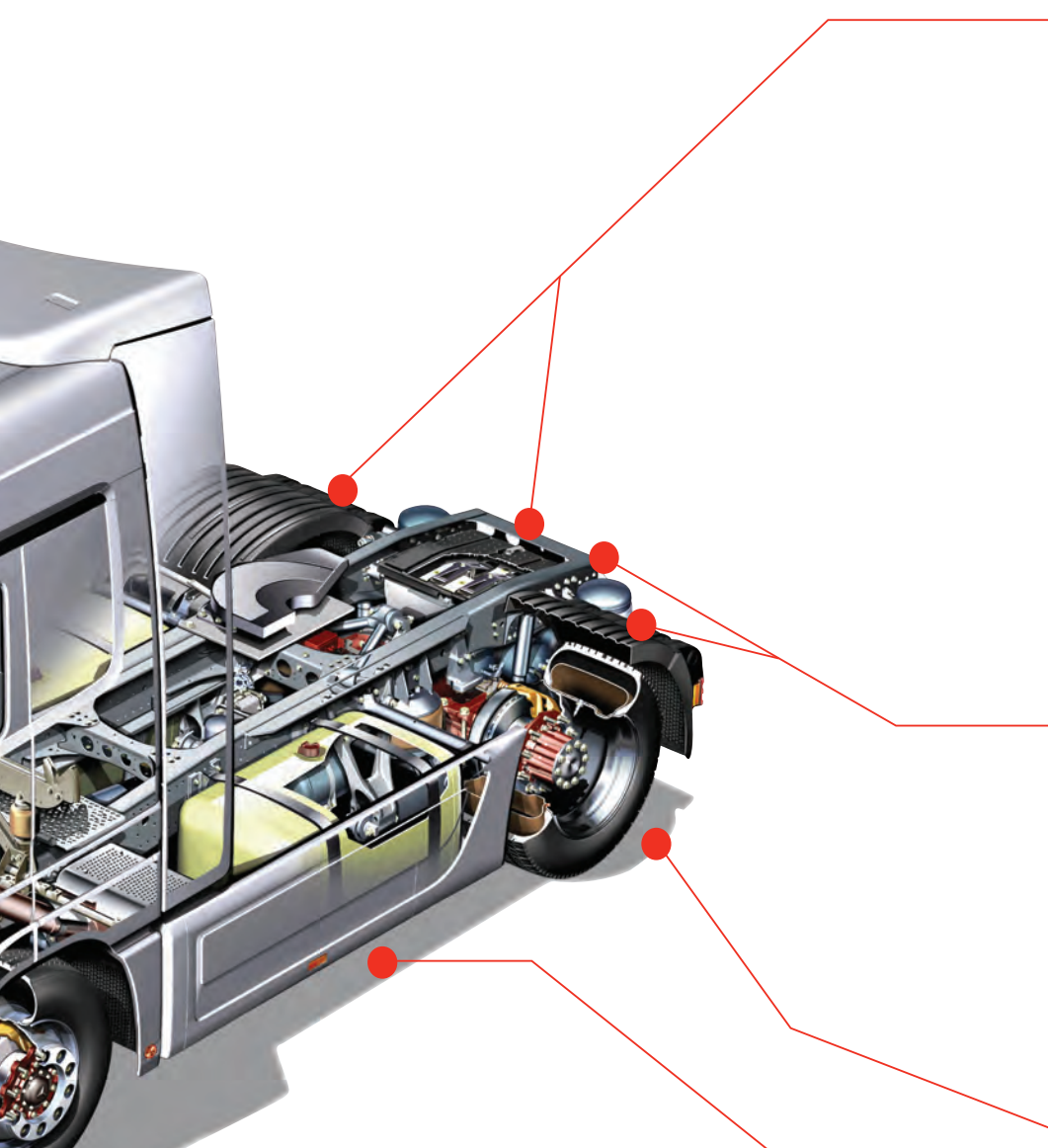
<b>Mirrors</b>
Heat Shrink Butt Connectors
14 GA Wire
Heat Shrink Terminals Blue
Wire Loom Various Sizes
Emery Cloth

<b>Batteries</b>
Wire Looms Various Sizes
Grey Two Conductor Cable 14 GA
15" Cable Ties
Electrical Tape
Battery Cable
Wire End Lugs
Dual Wall Shrink Tube

<b>Lights</b>
Shrink Tube
30 AMP Maxi Fuses
Heat Shrink Butt Connectors
Heat Shrink Terminals Blue
Pin Terminals
Emery Cloth
14 GA Wire Different Colors
Headlamp Bulbs



**Assorted Hardware (Grades 5 & 8)**



**Fuel Tanks & Lines**

Rubber Pipe Clamps 3/4
Rubber Pipe Clamps 1
Rubber Pipe Clamps 1/2
Rubber Pipe Clamps 2
Air Brake Fittings Union 1/2
Air Brake Fittings Union 5/8
Air Brake Fittings Union 3/4
7" Wire Ties
14" Wire Ties
Wire Loom 3/4
Wire Loom 1
Wire Loom 1 1/2

**Rear Suspensions**

Cap Screws Zinc 5/8x11x2
Cap Screws Zinc 5/8x11x3
Cap Screws Zinc 3/4x10x3
Cap Screws Zinc 3/4x10x4
Cap Screws Zinc 3/4x10x5
Nylon Lock Nuts 1/2x13
Nylon Lock Nuts 5/8x11
Nylon Lock Nuts 3/4x10
Flat Washers 1/2
Flat Washers 5/8
Flat Washers 3/4
Split Lock Washers 1/2
Split Lock Washers 5/8
Split Lock Washers 3/4

**Junction Areas**

Nylon Airline Tubing
Airline Push Connectors 1/4
Airline Push Connectors 3/8
Airline Push Connectors 1/2
Airline Push Connectors 5/8
Rubber Pipe Clamps 1/2
Grey Two Conductor Cable 14 GA

**Air Tanks**

Air Brake Fittings Union 1/4
Air Brake Fittings Union 3/8
Air Brake Fittings Union 1/2
Air Brake Fittings Union 5/8
Air Brake Elbow 3/8T 1/4P
Air Brake Elbow 1/2T 1/2P
Air Brake Elbow 5/8T 1/2P
Rubber Pipe Clamps 5/8
Rubber Pipe Clamps 3/4

# Windshield



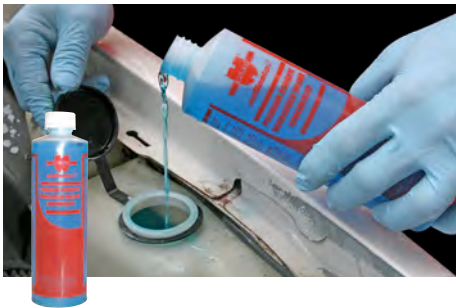
**Wiper Blades**



**Glass Cleaner**  
Art. # 8890925



**Screen Wash Additive**  
Art. # 0892332836



**Premium Domestic Windshield Washer Concentrate**  
Art. # 88573350



**Rapid Windshield Cleaner**  
Art. # 0892333



**WURTH Instant Windshield Washer Tablets \***  
Art. # 08923344



**Eco Window and Glass Cleaner**  
Art. # 0893012610, 0893012611



# Interior



**WURTH Cockpit Care**  
Art. # 08934731



**Quick Fresh**  
Art. # 8857000450, 8857000451,  
8857000452



**Eco Odor Eliminator**  
Art. # 0893139301, 0893139402,  
0893139401



**Eco Fabric and Upholstery  
Cleaner**  
Art. # 0893117120, 0893117121



**Eco Multi Purpose Cleaner**  
Art. # 089347410, 089347412



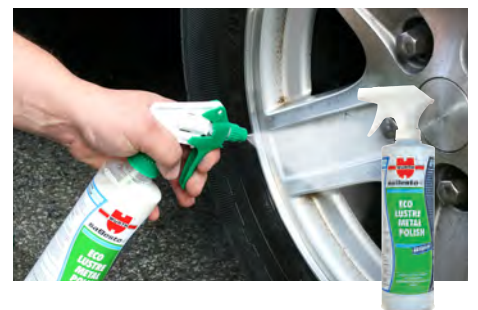
**HHS-K**  
Art. # 0893106050



**Super Spray All**  
Art. # 0890909



**Silicone Spray Lubricant**  
Art. # 8858221



**Eco Lustre Metal Polish**  
Art. # 089315460

# Underbody and Exhaust



**Wax Underbody Protection**  
Art. # 08920791



**Low VOC High Build Undercoating**  
Art. # 88909071



**Cavity Protection Spray**  
Art. # 0893081



**SKS Stone Guard**  
Art. # 08900301 - Black



**Sprayable Seam Sealers**  
Art. # 0893226 - Black  
Art. # 0893228 - Grey



**Multi Sprayer**  
Art. # 0891110



**UBS Spray Gun**  
Art. # 08911063



**Underbody Seal**  
Art. # 0893075 - Black  
Art. # 08930751 - Grey



**Exhaust Assembly Paste**  
Art. # 089010045

# Paints & Primers



**Flexi-Trim Satin Black Paint**  
Art. # 089099000



**Primers**  
Self Etching Primers



**Specialty Paints**  
Art. # 08929151 - New Cat Yellow  
Art. # 08929153 - Machinery Grey



**Lacquer Sprays**  
Art. # 0893...1893...



**Enamel Sprays**  
Art. # 0892...



**Metal Prep**  
Art. # 089091802



# Brakes



**Brake & Parts Cleaner**  
Art. # 1890...



**REFILLO®mat System**  
Art. # 09618917



**CU 800 Anti-Seize**  
Art. # 08938001 - 100 g Tube  
Art. # 08938002 - 1,000 g Can



**Anti-Squeal Spray**  
Art. # 0890106



**Silicone Lubricating Compound**  
Art. # 08902211



**SBS Brake Treatment II**  
Art. # 189311069



**ABS Brake Quiet**  
Art. # 0893116100 - 3.53 oz Tube  
Art. # 0893816 - 10.1 fl oz Aerosol



**Brake Cleaner Pump Bottle**  
Art. # 089150108



**Brake Rotor Conditioning Disks**  
Art. # 15866399

# Hardware & Fasteners



**Nylon Lock Nuts**  
Grade 5 & 8



**Grade 5 Hex Head Bolts**



**Grade 8 Hex Head Bolts**



**Hex Nuts**  
Grade 5 & 8



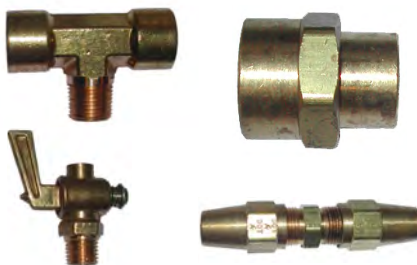
**Washers**  
Grade 5 & 8



**Blind Rivets**



**Coil Chains**  
Art. # 0321316250, 032151692



**Brass Pipe Fittings**  
Air Couplers



**Two Piece Fasteners**

# Body



**Abrasive Disks  
Grinding Wheels**



**PTFE Dry Lubricant**  
Art. # 0893550



**Maintenance Spray**  
Art. # 0893051



**Paintless Dent Repair**  
Art. # 0691500111  
(For Steel & Stainless Steel Trailers)



**Vehicle Wash**  
Art. # 08930120



**Finishing Putties & Fiber Glass  
Repair**  
Art. # 0892...



**Sprayable Adhesives**  
Art. # 0890910055



**Super Glues**  
Art. # 0893...



**Bond and Seal**  
Art. # 0890...1890...

# Body



**Sprayable and non Sprayable  
Seam Sealers**



**WURTH Fix-all  
Art. # 0893301907**



**Replast Plastic Repair  
Art. # 0893301917 - 7 fl oz  
Art. # 0893301908 - 10 fl oz Tube**



**Eco Graffiti Remover  
Art. # 089313550**



**Panel Bonds  
Art. # 0893...**



**Low VOC White Lithium Grease  
Art. # 0890402300**



**Rost Off  
Art. # 0890...**



**DBS 3600 Compressed Air  
Grinder & Decal Eraser Wheel  
Art. # 07033600, 158591**



**WURTH Film  
Art. # 08933300**

# Wheel and Tire



**Eco Aluminum Wheel Cleaner**  
Art. # 089010250



**Eco Lustre Metal Polish**  
Art. # 089315460



**Tire Fitting Paste**  
Art. # 08901221



**Wheel Nut Flags**  
Art. # 0200...



**Wheel Weights**



**Tire Repair**



**Tire Valves**



**Bead Sealer**  
Art. # 18794113



**Plug Patch Cement**  
Art. # 0893830



# Wheel and Tire



**Buffing Wheels**  
Art. # 1879...



**Bearing Grease**  
Art. # 0893530



**Tire Lube Brushes**  
Art. # 0693...



**Wheel Weight Hammers and Removers**  
Art. # 187900075, 0714541221



# Air Conditioning



**Heavy Duty Automatic  
Refrigerant Management System**  
Art. # W050400014



**Multi Purpose Dye**  
Art. # 0892764040 - 1 oz  
Art. # 0892764036 - 8 oz



**A/C Leak Stop With Dye**  
Art. # 1892764300



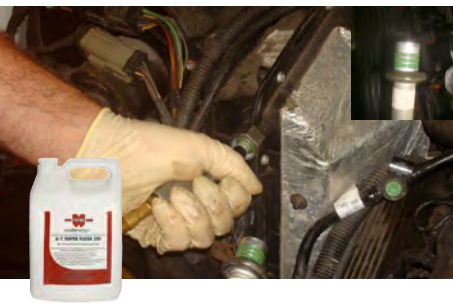
**A/C Treatment Cartridges**  
Art. # 0893203210



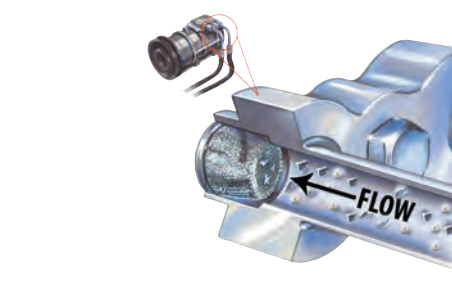
**POE & PAG A/C Lubricants**  
Art. # 0892...



**A/C Heating System Treatment**  
Art. # 0893545 - 6 oz  
Art. # 0893540 - 16 oz



**A/C Super Flush**  
Art. # 089276401 - 1 qt  
Art. # 089276402 - 1 gal



**Wurth Compressor Guard™  
Suction Screen Kit**  
Art. # 0764...



**A/C Components**

# Engine Compartment



**Aluminum Sealing Rings**  
Art. # 19640463



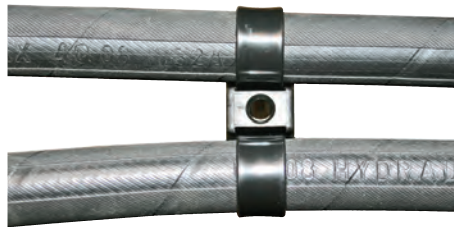
**Copper Sealing Rings**  
Art. # 19640460



**Pipe Clamps**  
**Hose Clamps**



**Time-Sert™ Thread Repair**



**Dual Clamp Ties**  
Art. # 050280013 - 13"  
Art. # 050280019 - 19.2"



**Battery Cleaner and Leak Detector**  
Art. # 08909108



**Threadlockers**  
Art. # 0893...



**Silicone Spray Lubricant**  
Art. # 8858221



**Contact and Circuit Board Cleaner**  
Art. # 1893961

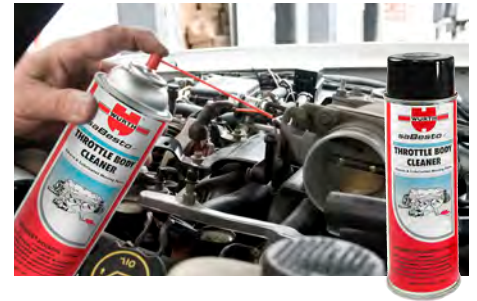
# Engine Compartment



**Low VOC White Lithium Grease**  
Art. # 0890402300



**Multi Purpose Solvent**  
Art. # 0890...1890...



**Throttle Body Cleaner**  
Art. # 089091003



**Quick Seal Heavy Bodied RTV**  
Art. # 189095900



**Bearing Retainer**  
Art. # 0893...



**Epoxy Sticks**  
Art. # 0893449011 - Steel  
Art. # 0893449012 - Aluminum



**Eco Industrial Degreaser Concentrate**  
Art. # 0893117103 - 4 L  
Art. # 0893117104 - 55 gal



**Gasket Compounds**  
Art. # 0890...



**Pipe Sealant**  
Art. # 0893511050

# Engine Compartment



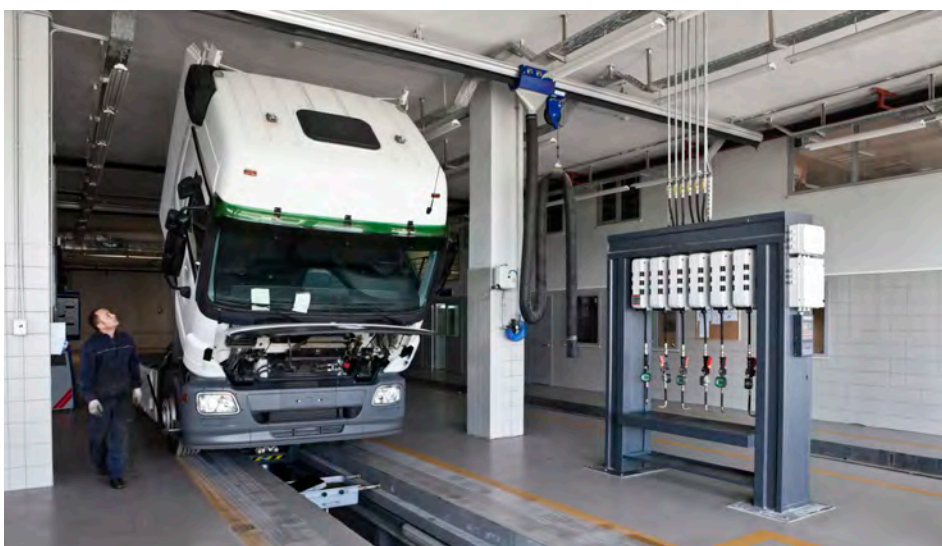
**Flange Sealant**  
Art. # 0893...



**Engine Cleaner & Degreaser**  
Art. # 0890231



**Grommets**



# 5th Wheel



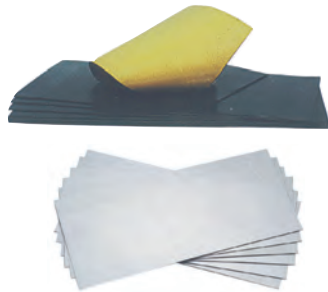
**ALU Zinc Spray**  
Art. # 0893111



**Rost Off Max Ice**  
Art. # 0893241002



**Sprayable Seam Sealers**  
Art. # 0893226 - Black  
Art. # 0893228 - Grey



**Sound Deadening Pads**  
Art. # 0890100601 - 10 pads  
Art. # 0890100060 - 6 strips



**Air Components**



**Spray Adhesive**  
Art. # 0890910055



**Rubber Glue**  
Art. # 0890100015



**Super Glues**  
Art. # 0893...



**Eco Graffiti Remover**  
Art. # 089313550

# 5th Wheel



**Load Securing Devices**  
Art. # 19953069



**SIG 3000 Super Impact Grease**  
Art. # 1890402



© 2013 WÜRTH USA, Inc. Cargo Expert 01/2013

# Workshop & Safety



**Clean Green Hand Cleaner**  
Art. # 08939020



**Hand Wipes**  
Art. # 0890900



**Dust & Mist Respirator with Exhalation Valve**  
Art. # 0899120001



**Air Hoses**  
Art. # 1895...



**Repair Fittings for Air Hoses**  
Art. # 1699...



**Cut + Cool Cutting and Drilling Oil**  
Art. # 0893050004



**Drill Bits**



**WURTH Cut-off disks**  
Art. # 0664...



**WURTH Surface Conditioning Disks**  
Art. # 1586...



# Workshop & Safety



**Pipe Sealant**  
Art. # 0893511050



**Safety Glasses**  
**Safety Goggles**



**WURTH SawZall blades**  
**Bi-Metal Reciprocating Blades**  
**Razor Blades**



**Corded Ear Plugs**  
Art. # 1899300304



**Gloves**



**Sorbent Pads**  
Art. # 08858916, 08858914



**D.O.T. Air Brake Fittings**  
Art. # 1885...



**Razor Blades Grade 9**  
**Standard Duty .009"**  
Art. # 16033010



**Oil Spill Kit**  
Art. # 088558500

# Electrical



**Assorted Cable Ties**  
Art. # 0502...1502...



**Split Wire Loom**  
Art. # 1771...



**Stabilant 22**  
Art. # 0893622



**Battery Cables**  
Art. # 1770...



**Battery Cable Heat Shrink Tubing**  
Art. # 1771...



**Batteries**  
Art. # 1827...



**Battery Cleaner and Leak Detector**  
Art. # 08909108



**Electrical Wire**  
Variety of Gauges  
Art. # 1770...0770...



**Nylon Insulated Connectors**  
Art. # 1559...

# Electrical



**Two Conductor Cable**  
Art. # 0770162100



**Fuse Holders**



**Fuses**  
Art. # 1731...0731...



**Battery Posts**  
Art. # 1510...



**Rubber Pipe Clamps**  
Art. # 0542...



**Lugs**  
Art. # 1557...



**Electrical Tools**



**Dielectric Grease**  
Art. # 0893844100



**Light Bulbs/Lights/LED Lamps**  
Art. # 1720...

# Electrical

Before



After



**Dura Wrap**

Art. # 0894700580 - 6"

Art. # 0894700581 - 12"



**Electrical Tape**

Art. # 1985615



**Brushable Electric Tape**

Art. # 0893198010



**Cable and Conduit Routing**

**Assortment**

Art. # 1964999800



**Battery Solder Slugs**

Art. # 1510...



**Contact OL**

Art. # 0890101101



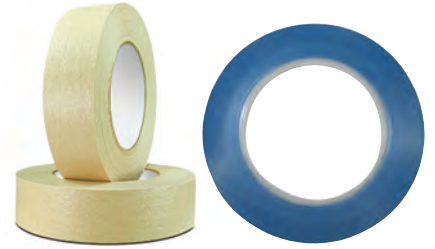
# Tapes



**Cold Shrink Tape**  
Art. # 19850771



**Double Sided Tape**  
Art. # 1894...



**Masking Tape**  
Fine Line Masking Tape  
Art. # 1992...



**Aluminum HVAC Repair Tape**  
Art. # 19929627



**Edge Guard Tape**  
Art # 19921234



**Tape Filament**  
Art. # 19922360



**WURTH Fender Tape**  
Art. # 089010003



**Duct Tape**  
Art. # 199230040



**Moisture Seal Tape**  
Art. # 1985616

# REFILLO<sup>®</sup>mat SYSTEM



**The revolutionary dispensing system from WURTH USA that saves you money and reduces waste.**

The REFILLOmat system minimizes can garbage and waste, thus reducing negative environmental effects.

The advantages for you:

- Refillable
- Tremendous space savings
- Highly cost-effective
- The REFILLOmat cans have a protected spray nozzle.
- Durable and long-lasting

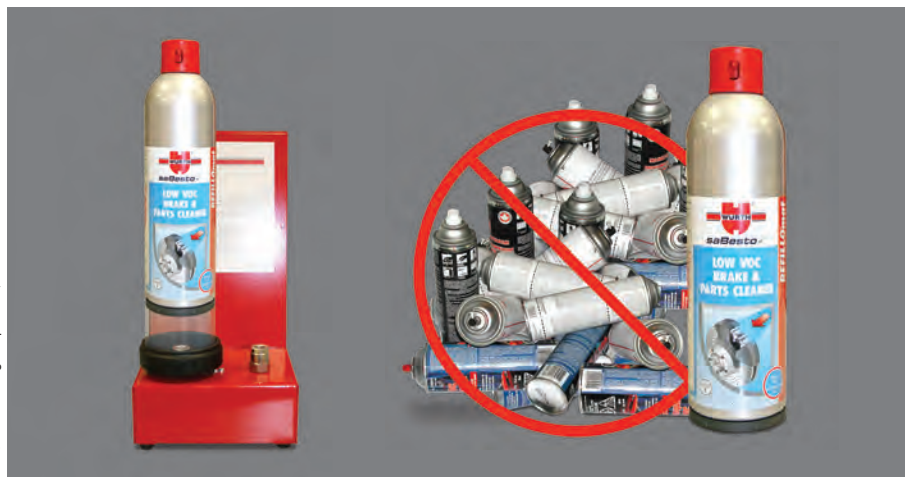
## FEATURES

- The REFILLOmat can looks like an ordinary aerosol can, yet it is a tool. It is convenient to handle and sprays in every position.
- The REFILLOmat station charges the can with 400ml of product (active ingredient) and propellant (compressed air) automatically within 7 seconds.
- REFILLOmat combines the ease and convenience of an aerosol with the cost savings of bulk into one innovative system.

Description	Art #
REFILLOmat Filling Station	<b>09618917</b>
Low VOC Refillo Can	<b>089188113</b>
Brake Cleaner Refillo Can	<b>08918811</b>
Zero VOC Refillo Can	<b>089188106</b>
Multi Purpose Solvent Refillo Can	<b>089188108</b>
10% Brake Cleaner Refillo Can	<b>089188110</b>
30% Multi Purpose Refillo Can	<b>089188303</b>
Hose for 55 gal Drum	<b>089180055</b>



**Bulk program available in 30 and 55 gallon Regular, Low VOC, Zero VOC & Multi Purpose Solvent**



# AUTOMATIC REFRIGERANT MANAGEMENT SYSTEM



Since 1969, WURTH USA has been a trusted partner to the Vehicle Maintenance and Repair industry. With the introduction of our new Automatic Refrigerant Management System, we are continuing with our tradition of providing innovative solutions to our customers.

This system is SAE J2788H and J2788 ETL approved and OEM approved for use in high voltage A/C systems.

With the press of one button, you get full cycle recover/recycle/evacuate/recharge to bring the vehicle back to factory spec. The other buttons give you the flexibility and efficiency for specific A/C services.

Advantages of the unit include oil injection for work savings, faster vacuum/charge, and an ABS plastic cabinet with rounded corners to prevent damage to cars.

Available Models			
Standard Automatic Refrigerant Management System	<b>W050400010</b>	Standard Automatic Hybrid Compatible Refrigerant Management System	<b>W050400011</b>
Deluxe Automatic Refrigerant Management System	<b>W050400012</b>	Deluxe Automatic Hybrid Compatible Refrigerant Management System	<b>W050400013</b>
<ul style="list-style-type: none"> <li>Deluxe versions include printer and Identifier</li> </ul>		Heavy Duty Automatic Refrigerant Management System (w/ 5 CFM pump and 15 ft hose for Semi Trucks, Off Road & Aircraft)	<b>W050400014</b>

## Features Include:

### Twin 1/2 hp compressors for speed and reliability.

No one else is using two compressors in their system. Two compressors allows us to recover the refrigerant faster and keep the unit in service even if there is a compressor failure (The unit can still operate using one compressor) Using two compressors also saves in maintenance cost of the vacuum pump.

### Fully automatic.

Our unit is a true hook up and walk away unit. Other machines require the technician to come back to the vehicle and do other functions to complete the job. With our unit, it is entirely automatic; when the unit beeps and the cycle is complete, the service is done and you can send the customer on the way.

**Onboard diagnostics.** With this feature we can pinpoint what component is causing an issue and get the right part ordered right away. This gives you the ability to break free of the need to use an expensive service center when the unit is out of warranty.

### Refrigerant management system that keeps track of information on A/C service work.

This feature tracks the usage of the unit and refrigerant. With refrigerant costing more and more this feature will stop employee theft. It is also required in most states to track refrigerant usage by each shop.

**50 lb. storage tank.** We have the largest storage tank capacity in the industry. This extra capacity allows us to service larger vehicles like semi trucks, off road equipment, buses and aircraft.

### Lifetime technical support.

**All units made in the USA.**

# CARGO EXPERT

WURTH USA Inc.  
93 Grant Street  
Ramsey, NJ 07446  
1-800 WURTH USA (987-8487)  
[www.wurthusa.com](http://www.wurthusa.com)

© WURTH USA Inc. 2013  
Printed in New Jersey  
The information enclosed is privileged and confidential property of  
WURTH USA, Inc. Any dissemination, distribution or copying of this  
communication is strictly prohibited.

